

## Injection Pumps

# WEBAC® IP EasyPro CE

### Range of application

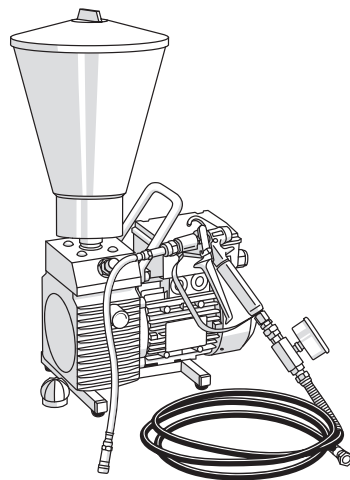
- Crack injection
- Post-construction damp proof course (dpc)
- Injection of injection tubes
- Sealing of foundation pits
- Surface injection/sealing
- Sewer repair

### Suitable for

- PU injection foam resins
- PU combi injection resins
- PU injection resins
- Epoxy injection resins

### Properties

- Robust design for construction site use
- Carriage optional
- Adjustable pressure
- Easy to clean and maintain



WEBAC-Chemie GmbH  
Fahrenberg 22  
22885 Barsbüttel  
Germany  
Tel. +49 40 67057-0  
Fax +49 40 6703227  
info@webac.de

[www.webac.de](http://www.webac.de)

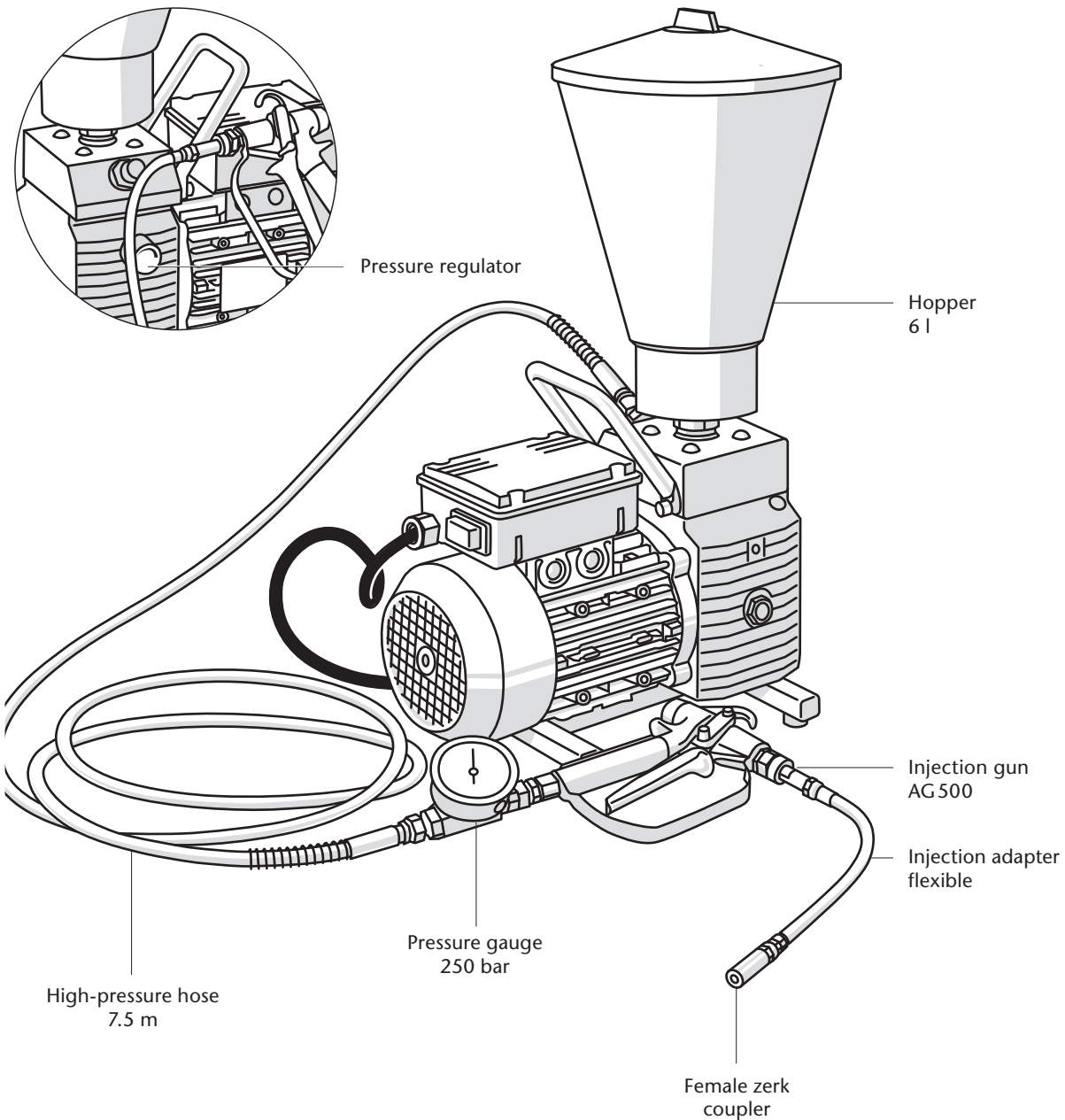
## ► Technical Information

All the data indicated in this technical data sheet and any related information provided by our employees are of an advisory nature representing our current state of knowledge and in no way binding. As the exact chemical, technical and physical conditions of the actual application are beyond WEBAC's control, this information does not preclude examination of the products and/or procedures for the intended application and surface by the user. WEBAC is thus unable to guarantee results. The user is fully responsible for the observation of existing regulations and conditions when using the products.  
© WEBAC-Chemie GmbH. Version 03/2024

## Injection Pumps

# WEBAC® IP EasyPro CE

### Design of pump



WEBAC-Chemie GmbH  
Fahrenberg 22  
22885 Barsbüttel  
Germany  
Tel. +49 40 67057-0  
Fax +49 40 6703227  
info@webac.de

[www.webac.de](http://www.webac.de)

## ► Technical Information

All the data indicated in this technical data sheet and any related information provided by our employees are of an advisory nature representing our current state of knowledge and in no way binding. As the exact chemical, technical and physical conditions of the actual application are beyond WEBAC's control, this information does not preclude examination of the products and/or procedures for the intended application and surface by the user. WEBAC is thus unable to guarantee results. The user is fully responsible for the observation of existing regulations and conditions when using the products.  
© WEBAC-Chemie GmbH. Version 03/2024

## Injection Pumps

# WEBAC® IP EasyPro CE

# WEBAC®

| Technical data                  | Values                             |
|---------------------------------|------------------------------------|
| Max. delivery rate at free flow | ≈ 4.0 l/min                        |
| Max. allowed working pressure   | 240 bar                            |
| Weight                          | ≈ 23 kg                            |
| Voltage                         | 220 V (110 V available on request) |
| Output                          | ≈ 1.1 kW                           |

### Operation

For the operation of the injection pump, see the pump manual.

### Cleaning

- Clean the injection pump with **WEBAC® Cleaner A**
- Observe the technical data sheets of the cleaner used
- For detailed information refer to the operating manual of the injection pump

### Storage

- Always store the injection pump in an upright position
- Fill the cleaned pump system with hydraulic oil (water-free) in case of long non-operating periods

WEBAC-Chemie GmbH  
Fahrenberg 22  
22885 Barsbüttel  
Germany  
Tel. +49 40 67057-0  
Fax +49 40 6703227  
info@webac.de

[www.webac.de](http://www.webac.de)

## ► Technical Information

All the data indicated in this technical data sheet and any related information provided by our employees are of an advisory nature representing our current state of knowledge and in no way binding. As the exact chemical, technical and physical conditions of the actual application are beyond WEBAC's control, this information does not preclude examination of the products and/or procedures for the intended application and surface by the user. WEBAC is thus unable to guarantee results. The user is fully responsible for the observation of existing regulations and conditions when using the products. © WEBAC-Chemie GmbH. Version 03/2024

## Injection Pumps

# WEBAC® IP EasyPro CE

### Overview: Range of application

|                 | Sealing of Masonry | Gel Injection<br>(Curtain Injection) | Stabilization<br>of Structures | Crack Repair | Sealing of Joints | Monument<br>Conservation | Sealing of<br>Foundation Pits | Sewer Repair | Soil Solidification |
|-----------------|--------------------|--------------------------------------|--------------------------------|--------------|-------------------|--------------------------|-------------------------------|--------------|---------------------|
| <b>1C pumps</b> | WEBAC® IP EasyPro  | ✓                                    | ✓                              | ✓            | ✓                 | ✓                        | ✓                             | ✓            | ✓                   |
|                 | WEBAC® IP 1K-F4    | ✓                                    |                                | ✓            | ✓                 | ✓                        |                               | ✓            | ✓                   |
|                 | WEBAC® IP 1K-F3    | ✓                                    |                                | ✓            | ✓                 | ✓                        |                               | ✓            | ✓                   |
|                 | WEBAC® HP 100      | ✓                                    |                                | ✓            | ✓                 | ✓                        |                               |              |                     |
|                 | WEBAC® HP 250      | ✓                                    |                                | ✓            | ✓                 | ✓                        |                               |              |                     |
|                 | WEBAC® HEP 1001    | ✓                                    |                                | ✓            | ✓                 | ✓                        |                               |              |                     |
| <b>2C pumps</b> | WEBAC® IP 2K-AG    | ✓                                    | ✓                              |              | ✓                 | ✓                        | ✓                             | ✓            | ✓                   |
|                 | WEBAC® IP 2K-PU    | ✓                                    |                                | ✓            |                   | ✓                        | ✓                             | ✓            | ✓                   |
|                 | WEBAC® HP 50 2K    | ✓                                    |                                | ✓            | ✓                 | ✓                        |                               |              |                     |

### Occupational safety

The safety regulations of the industrial trade associations and the WEBAC Safety Data Sheets are to be observed at all times when working with this product. Safety data sheets according to Regulation (EC) No. 1907/2006 (REACH) must be accessible to all persons responsible for occupational safety, health protection and the handling of materials. For further information, please see the separate information sheet "Occupational Safety" in our product catalog or [www.webac.com](http://www.webac.com).

### Waste disposal

It is not possible to dispose of containers at production facilities or delivery warehouses. For more detailed information, please see the separate information sheet "Disposal Notes" in our product catalog or [www.webac.com](http://www.webac.com) and the safety data sheets.

# WEBAC®

WEBAC-Chemie GmbH  
Fahrenberg 22  
22885 Barsbüttel  
Germany  
Tel. +49 40 67057-0  
Fax +49 40 6703227  
[info@webac.de](mailto:info@webac.de)

[www.webac.de](http://www.webac.de)

## ► Technical Information

All the data indicated in this technical data sheet and any related information provided by our employees are of an advisory nature representing our current state of knowledge and in no way binding. As the exact chemical, technical and physical conditions of the actual application are beyond WEBAC's control, this information does not preclude examination of the products and/or procedures for the intended application and surface by the user. WEBAC is thus unable to guarantee results. The user is fully responsible for the observation of existing regulations and conditions when using the products.  
© WEBAC-Chemie GmbH. Version 03/2024